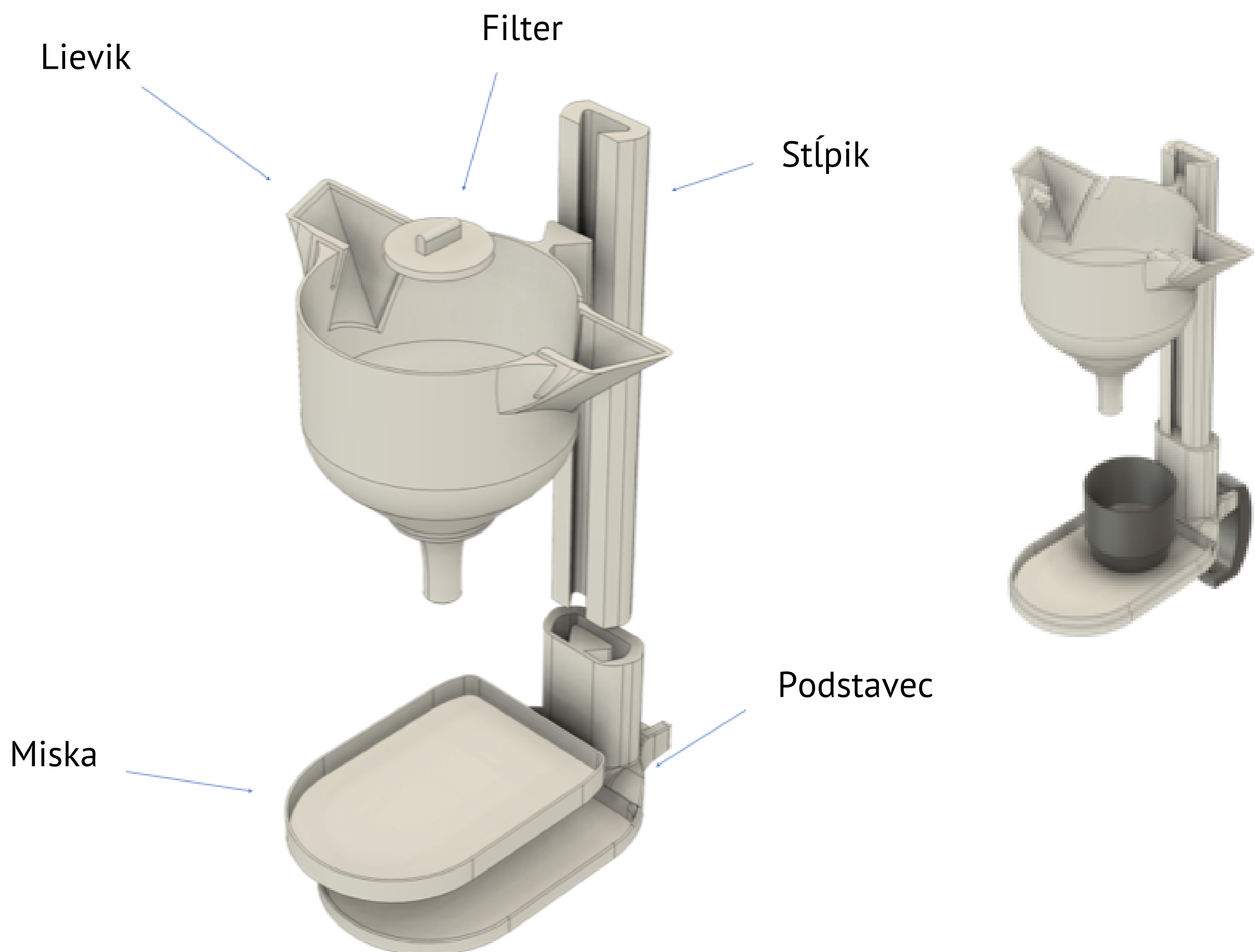


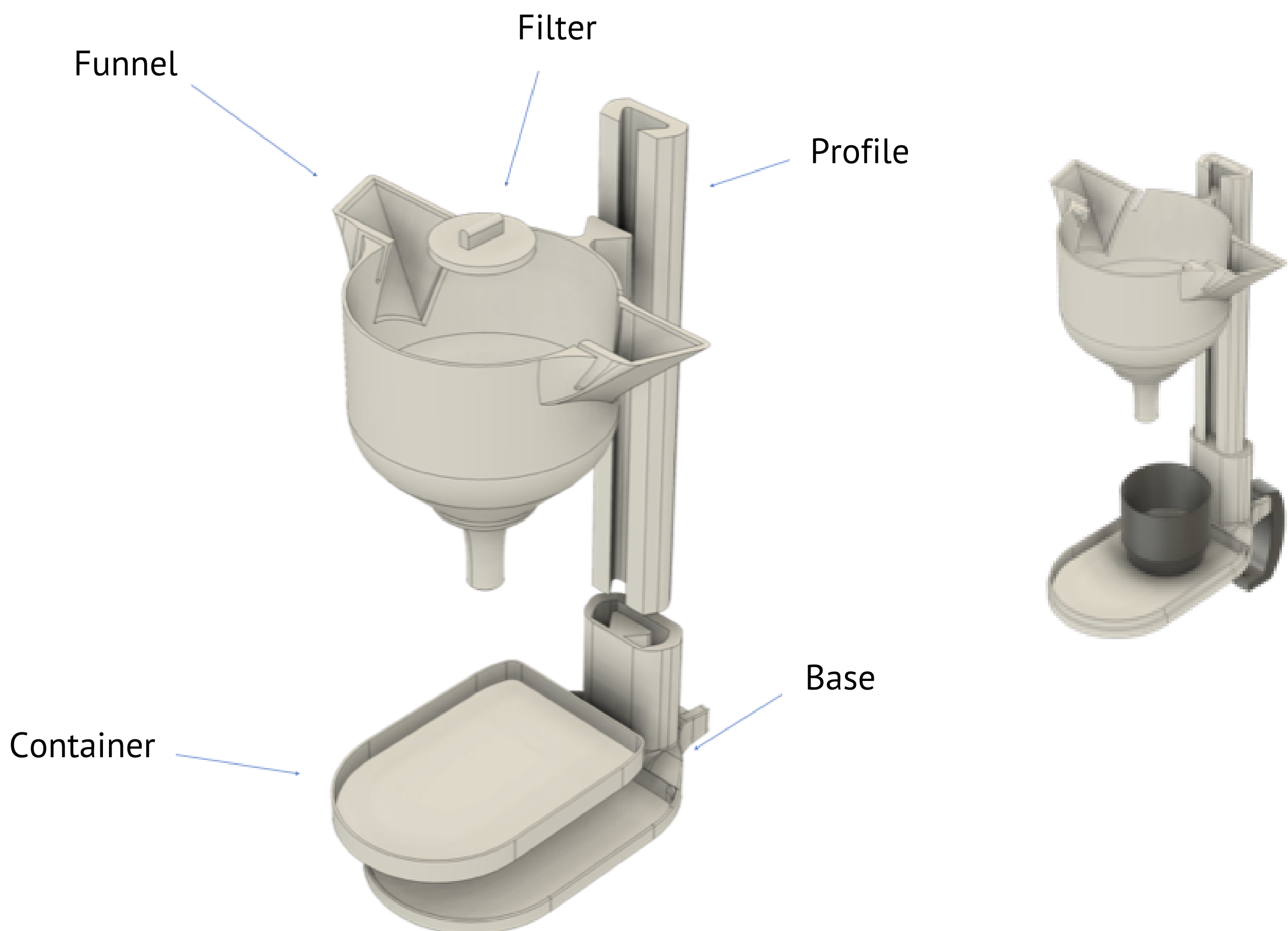
NÁVOD NA POUŽITIE



1. Vložte Profil do drážky v podstavci a podstavec pomocou zveráku pripevnite k stolu.
2. Vložte misku do podstavca.
3. Do misky v podstavci položte otvorenú fľašu a z vrchu pomocou drážky v stĺpe do nej vložte lievik.
4. Do lievika nezabudnite pridať filter .
5. Resin vylejte do lievika a vat vložte do lievika FEP fóliou smerom k stĺpiku (foto) a resin nechajte odtečť.
6. Do zárezov v lieviku vložte papier/kartón kvôli blokovaniu UV (podľa veľkosti vášho resin vatu).

BIOVOXEL RESIN FUNNEL

INSTRUCTIONS FOR USE



1. Insert the Profile into the groove in the base and fasten the base to a table using the included vice.
2. Place the removable container into the base.
3. Place the open bottle in the removable container in the base and insert the funnel into the groove in the profile.
4. Do not forget to add a filter to the funnel.
5. Pour the resin into the funnel and insert the resin vat into the funnel with the FEP film facing away from the column (photo) and let the resin drain.
6. Insert a piece of paper/cardboard into the slits in the funnel for UV blocking (according to the size of your resin vat).